

# Mooney\* FlowMax\* Low Flow Range Extender (LFRX)

Seasonal low flow demands on regulators in distribution networks can cause noisy vibrations and can send numerous high pressure waves downstream causing unstable flow conditions. The Mooney FlowMax regulator delivers high flow capacity with minimal pressure differential (2 psid - 4 psid) by design with a single top entry actuator. Our proprietary Flow Max Low Flow Range Extender (LFRX) improves the performance range of this regulator and allows it to deliver a smooth and accurate set point even when operating down to 1% of its top capacity.

- Available in 2", 3", 4" and 6" sizes
- Eliminates vibrations at low flow
- No special tools required
- Simple installation
- Accurate & stable control down to 1% capacity
- Low impact on maximum capacity
- Factory or field install
- Low maintenance
- Field tested over one year
- Evaluated at CEESI test lab

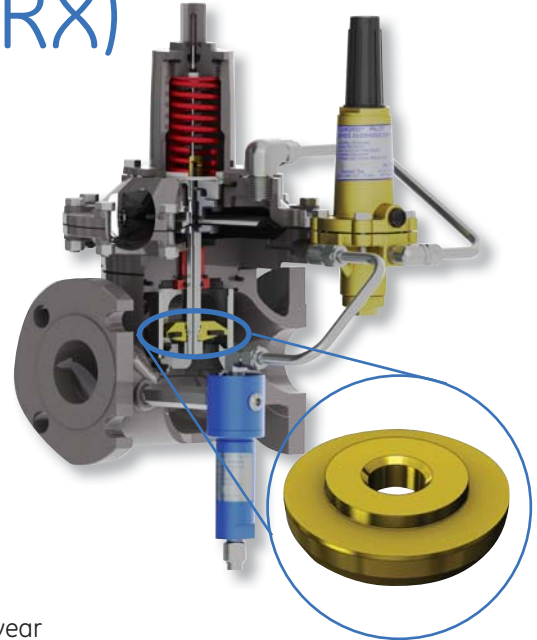
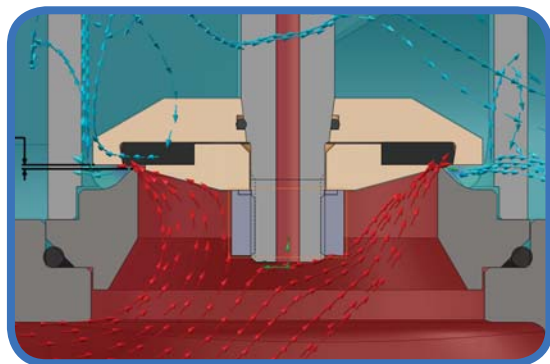
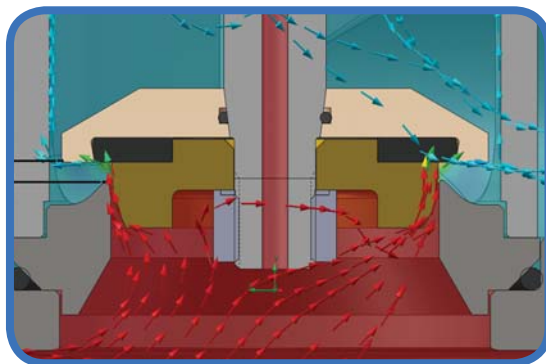


Figure 1 - FlowMax with Low Flow Range Extender (LFRX)



**Figure 2 - FlowMax regulator at low flow**  
The large pressure drop from the upstream to downstream regions allows a Venturi effect (very low pressure pocket) to pull the plug back down on to the seat at low flow conditions. In order to supply the demand this pattern repeats at higher frequency which causes the vibration and high pressure waves downstream causing unstable flow regions.



**Figure 3 - FlowMax Low Flow Range Extender at low flow.**  
At low flow conditions the pressure drop from upstream pressure to downstream pressure occurs over a longer distance, decreasing the Venturi effects. Since the opening is now smaller, the plug needs to lift higher off of the seat in order to meet demand. This process allows for more stable flow.



**Table 1 - Capacity Comparison**

FlowMax Regulator Size	Standard P/N	Standard Max Cg	Standard Min Cg	FlowMax Regulator Size	LFRX Kit*** P/N	LFRX Max Cg	LFRX Min Cg
2"	132-055-01	2250	225	2"	132-053-01	1901	57
3"	133-043-01	4200	420	3"	133-053-01	4074	122
4"	134-043-01	7500	750	4"	134-053-01	6900	207
6"	136-043-01	14500	1450	6"	136-053-01	13630	408

\*\*\*: LFRX is a full version kit that consists of range extender, seat, o-rings, gasket and plug seal.



**GE Oil & Gas**  
 2822 S. 1030 West  
 Salt Lake City, UT 84119  
 P: +1 801.487.2225  
 F: +1 801.487.2587  
 mooneyredq.inquiries@ge.com

Visit us online at:  
[www.ge.com/energy](http://www.ge.com/energy)

© 2012 General Electric Company  
 All Rights Reserved  
 Denotes a trademark of General Electric Company